

INOX | Blast Chillers

BLAST CHILLER

RF 5



-
-
- GAS**
R452A
- 70 mm
- 5**
CLIMATIC CLASS
- 40°C
-

DETAILS



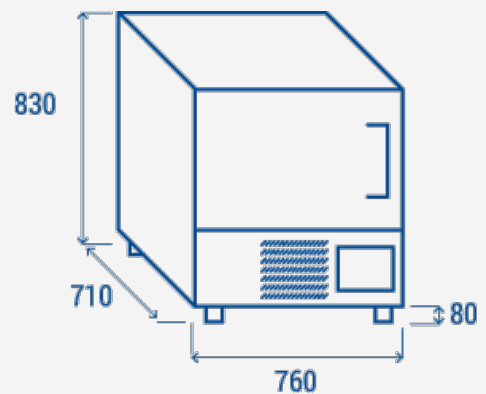
GENERAL FEATURES

- GNI/1 and EURONORM 600x400mm Upright Blast chiller
- Surface easy to clean (Anti-fing printing)
- Ventilated Cooling with Manual defrost
- Evaporator with anti-corrosion treatment
- Foaming Agent Cyclopentane (70mm per side - CFC Free)
- Digital Thermostat with Buzzer alarm
- Error message directly in the display
- Chilling chamber is AISI 304 steel type
- Door microswitch for stop inner fan with open door
- Separated water tray for collect condensation
- Reversible door
- Core probe fitted as standard
- H.A.C.C.P. Traceability comply
- USB Port for download data and 5 languages display info
- N.4 Adjustable stainless steel feet
- Energy efficiency class: -

TECHNICAL SPECIFICATIONS

| | |
|-----------------------------------|----------------------|
| External Dimensions (WxDxH mm) | 760x710x830 |
| Internal Dimensions (WxDxH mm) | 640x420x380 |
| Noise level | 55 dB(A) |
| Consumption | N/A kWh/24h |
| Capacity | 0 |
| Rated Power | 449 W |
| Net Weight | 103 Kg |
| Temperature | +10°C ~ -40°C |
| Gross Weight | 118 Kg |
| Packaging dimensions (WxDxH mm) | 800x778x1038 |
| Loading quantities 20'/40'/40'/HQ | 28/56/56 |

PRODUCT DIMENSIONS



CERTIFICATION

CE RoHS

